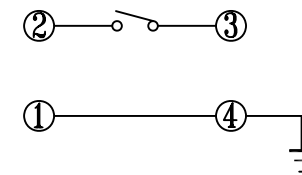
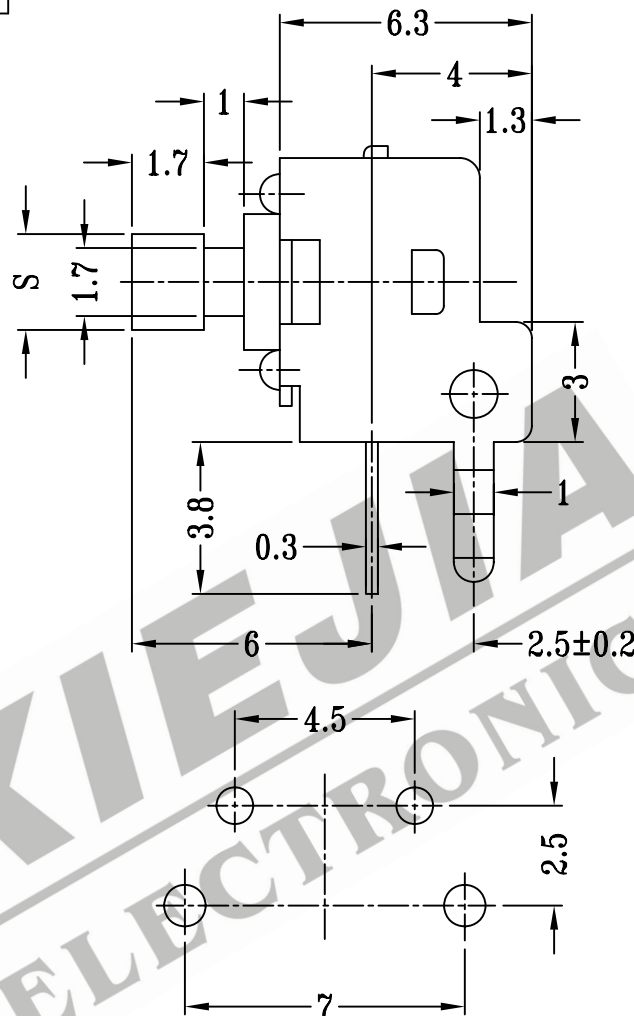
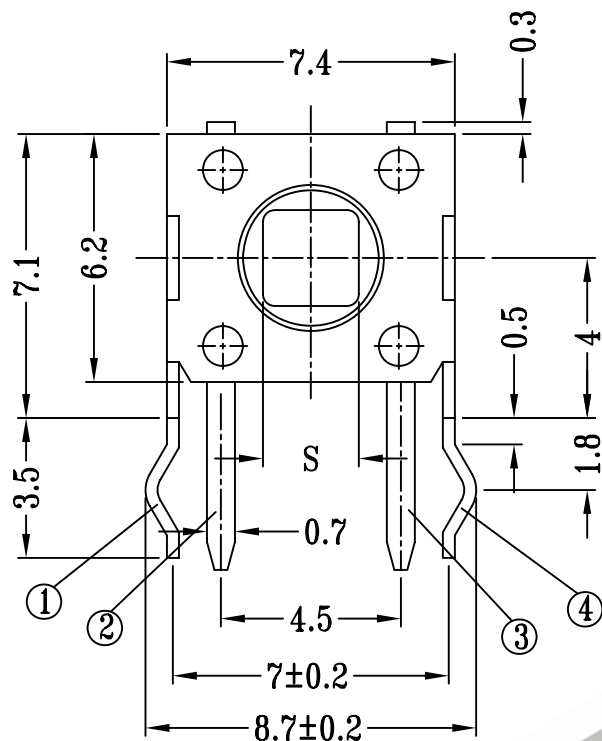


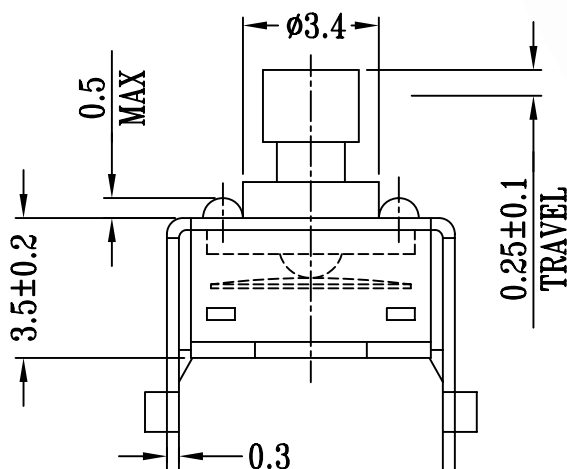
CAD FILE:



SCHEMATIC

TC-028V	2.8 ⁺⁰ _{-0.1}
TC-024V	2.4±0.05
MODEL	S

OPERATING FORCE	CODE
100gf	T
130gf	V
160gf	X
170gf	W
190gf	Y
250gf	Z



P.C.B LAYOUT

注:带"*"表示关键尺寸(6个)

TOLERANCE UNLESS SPECIFIED		SHENZHEN XIEJIA ELECTRONICS CO.,LTD.			
WITHIN: 1.5±0.1mm		ISSUE	DATE	DESCRIPTIONS OF REVISION	APPD.
OVER : 1.5±0.2mm					
TITLE : TACT SWITCH			UNIT : mm	DRWG NO.: XJ-DR-TC024V-00	
MODEL: TC-024V(028V)			SCALE: 1:1	DWN. ZHOUYU	2002-7-10
ALL MATERIALS MUST BE COMPLIANT TO ROHS				CHK'D FANGYING	2002-7-10
				APPD. KANGXINAN	2002-7-10

NO.	PARTS	MATERIALS	Q'TY	FINISH
4	CASE	NYLON	1	BLACK
3	CONTACT	BRASS STRIP	1	Ag CLAD
2	COVER	ZINC PLATE	1	WASHIING
1	KNOB	POM	1	BLUE/BLACK